



**Cosset Series
Big & Tall Executive Chair**

Assembly Instructions

Model SRJ-48964



**This chair can
support up to:
400 lbs**

PARTS



A

Casters

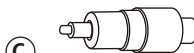
Quantity: 5



B

Star Base

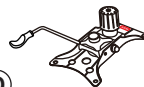
Quantity: 1



C

Gas Lift with Telescoping Cover

Quantity: 1



D

Seat Plate

Quantity: 1



E1

Left Arm

Quantity: 1



E2

Right Arm

Quantity: 1



F

Seat Cushion

Quantity: 1



G

Back Cushion

Quantity: 1



H

1-1/2" Big Screws

Quantity: 2



I

1" Big Screws

Quantity: 2



J

1-1/4" Small Screws

Quantity: 8



K

Plastic Caps

Quantity: 8



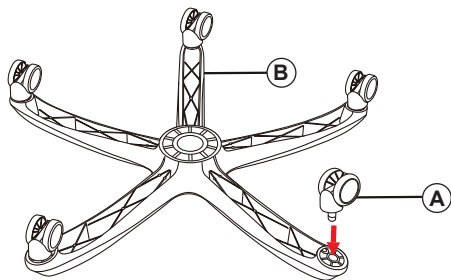
L

Allen Key

Quantity: 1

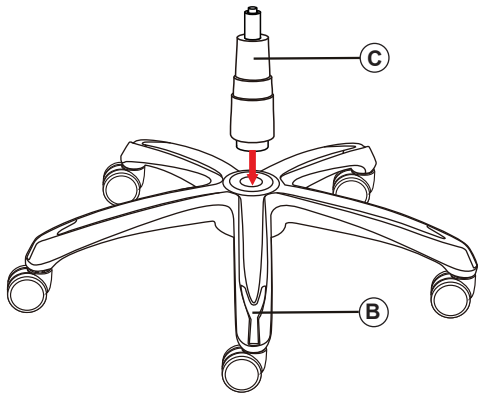
Step 1

Place the Star Base (B) upside down and insert 5 Casters (A) into the holes on the Star Base (B).



Step 2

Turn the Star Base (B) over and insert the Gas Lift with Telescoping Cover (C) through the center hole on top of Star Base (B).

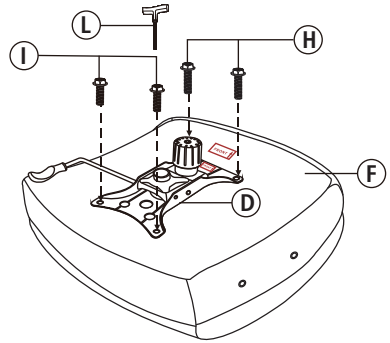


Step 3

Attach Seat Plate (D) to the bottom of the Seat Cushion (F) (with the front of the seat plate facing the front of seat cushion).

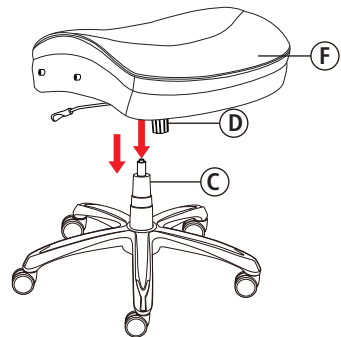
Attach by using 1-1/2" Big Screws (H) for the front holes of the Seat Plate (D) and 1" Big Screws (I) for the rear holes of the Seat Plate (D) and tighten screws.

*Note: Tighten the screws completely.



Step 4

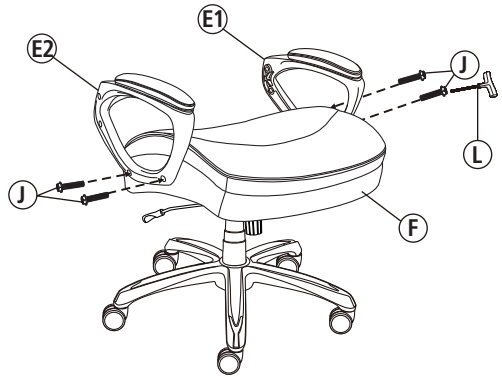
Place the Seat Cushion (F) with Seat Plate (D) on top of Gas Lift with Telescoping Cover (C) and press down until fully engaged.



Step 5

Fasten the Arms (E1 & E2) onto sides of the Seat Cushion (F) by using 1-1/4" Small Screws (J).

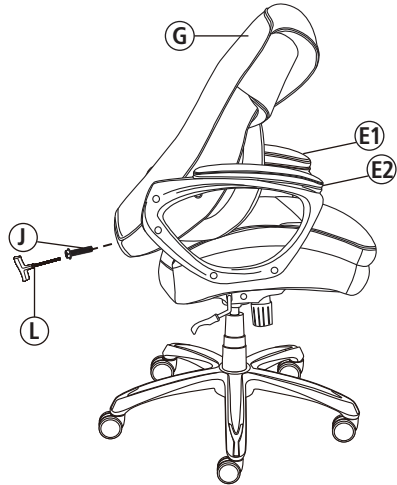
*Note: Do not tighten the screws completely.



Step 6

Place the Back Cushion (G) flat between Arms (E1 & E2), and use 1-1/4" Small Screws (J) to locate lower screw holes on both Arms (E1 & E2) & Back Cushion (G).

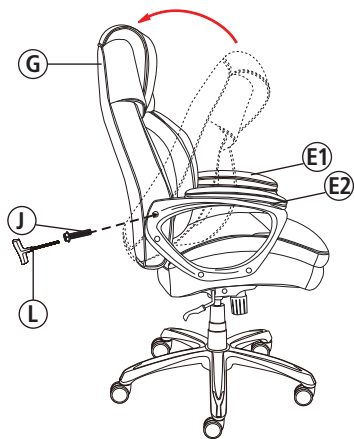
*Note: Do not tighten the screws completely.



Step 7

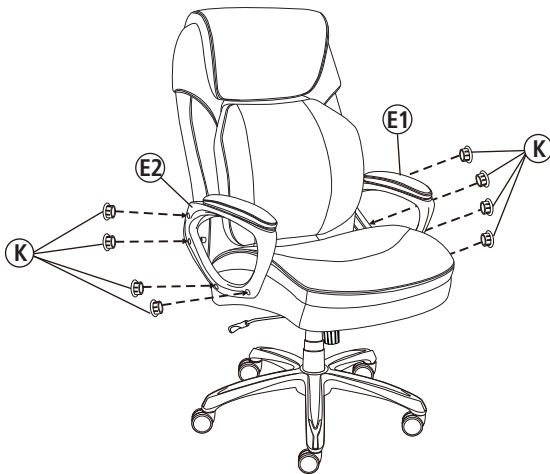
Push the Back Cushion (G) up to a vertical position and attach the Arms (E1 & E2) by using 1-1/4" Small Screws (J).

*Note: Tighten all the screws completely.



Step 8

Press the Plastic Caps (K) into armrest holes once all screws have been tightened.

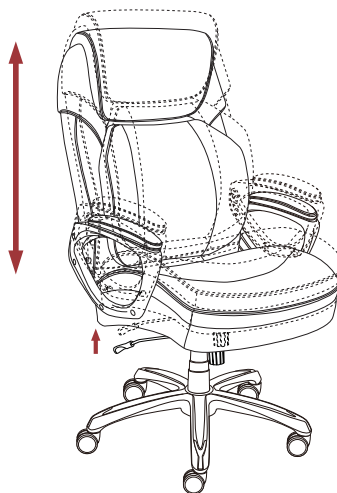


Operating Instructions

Function Instruction - 1

To Adjust Seat Height:

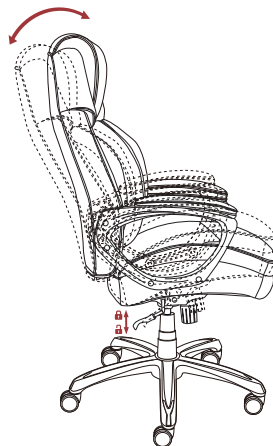
While seated, lean forward and reach under the right side of the chair to find the handle. Lift the handle and raise your body up slightly to allow the chair to rise to the desired height. Once desired height is reached, release handle to lock chair at desired height. To lower the seat, lift the handle while seated. The chair will descend until the handle is released or the chair reaches the bottom position.



Function Instruction - 2

To Operate Tilt Lockout:

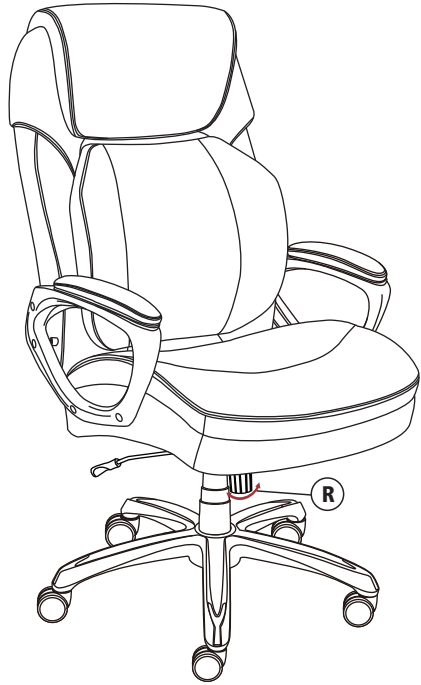
While seated, reach under the right side of the chair to find the height adjustment handle. Pull the handle all the way out (away from the seat plate) to allow the chair to tilt backwards. To lock the chair in the upright or vertical position, sit upright and push the handle in towards the seat plate.



Function Instruction - 3

To Adjust Tension On The Tilt:

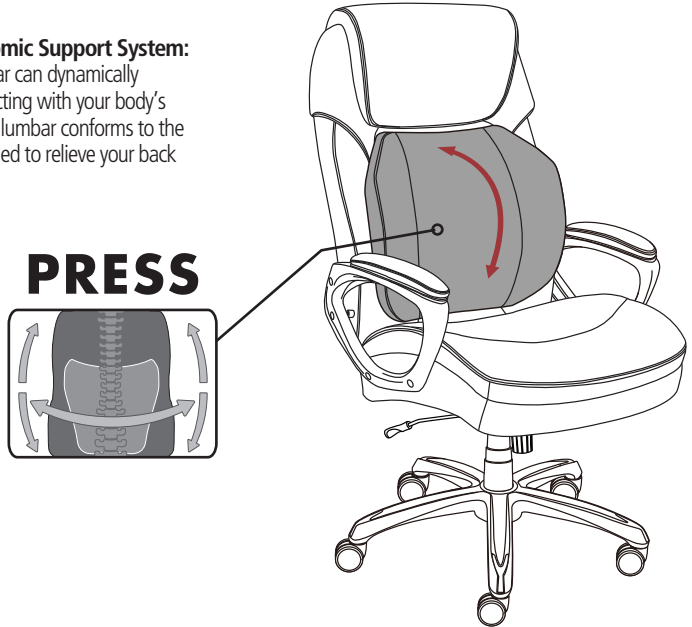
Reach under the front center of the chair, grasp the round knob (R) and turn it counter-clockwise to stiffen the tilt mechanism for a heavier user. Turn the knob (R) clockwise to loosen the tilt mechanism for a lighter user. Rotate the knob (R) until the desired resistance is reached.



Function Instruction - 4

Featuring Pivot Reactive Ergonomic Support System:

While seated, the pivot reactive lumbar can dynamically provide continuous support by connecting with your body's natural movement. The pivot reactive lumbar conforms to the curve of your spinal cord and is intended to relieve your back from stress at any back angle.



Function Instruction - 5

360° Swivel:
360° seat swivel.



